

READING LIGHT

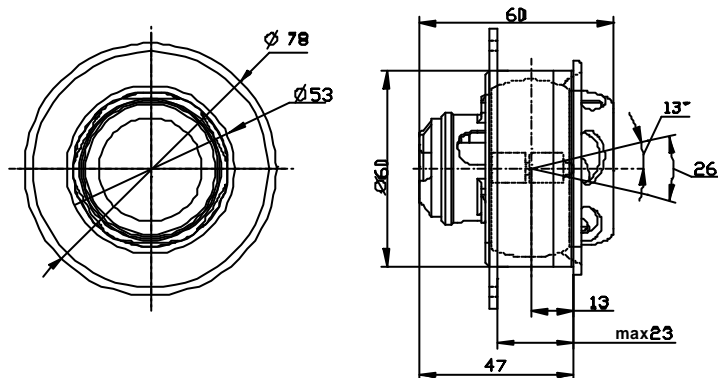
Reading Light is intended to provide local illumination in cabin of aircraft.



- Exclusive design
- Ergonomic
- Easy mount
- Source – halogen lamp
- Aluminum reflector of halogen lamp with sapphire protective coating
- Input voltage 28 V
- Power consumption 11.5 W
- 360° swivel around axis with maximum deviation angle of 13°
- Case – aluminum alloy
- Decorative coating meets your needs
- Weight 0.2 kg

DIMENSIONS (in mm)

Round shape Reading Light P/N 676142.001



Oval shape Reading Light P/N 676142.002

