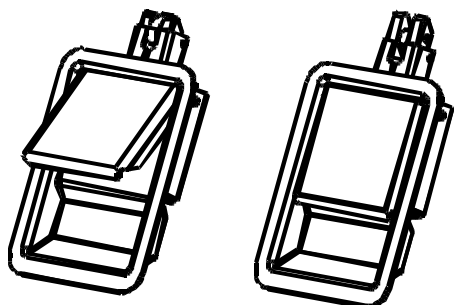


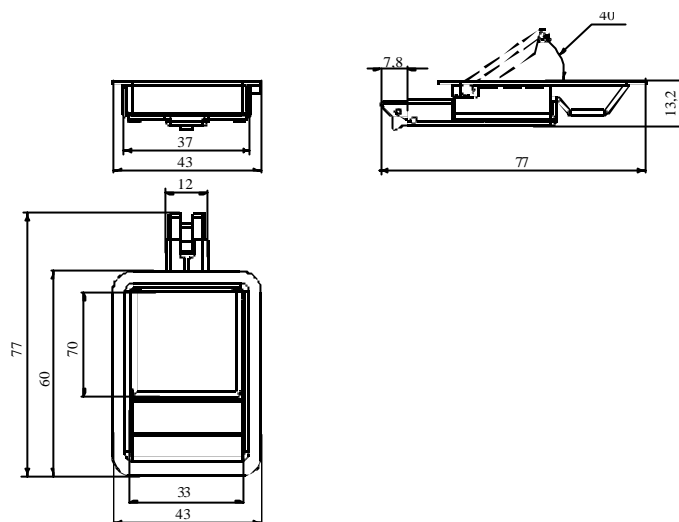
## CABINET LATCH (P/N 325843.001)



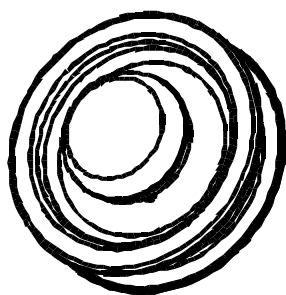
Latch is intended to provide reliable fixation of furniture doors with minimal effort.

- Comfort
- Reliability
- Decorative coat meet your needs
- Ergonomic
- Easy mount
- Material – stainless steel
- Weight 0.05 kg

### DIMENSIONS (in mm)



## KNOB (P/N 325881.001)



Two-sided knob installed in the door that has a thickness more than 22 mm.

- Comfort
- Reliability
- Polished outside surfaces
- Decorative coat meet your needs
- Ergonomic
- Easy mount
- Material – aluminum alloy
- Weight 0.12 kg

### DIMENSIONS (in mm)

