

## AIR OUTLET

Designed to passenger control direction and volume of airflow.

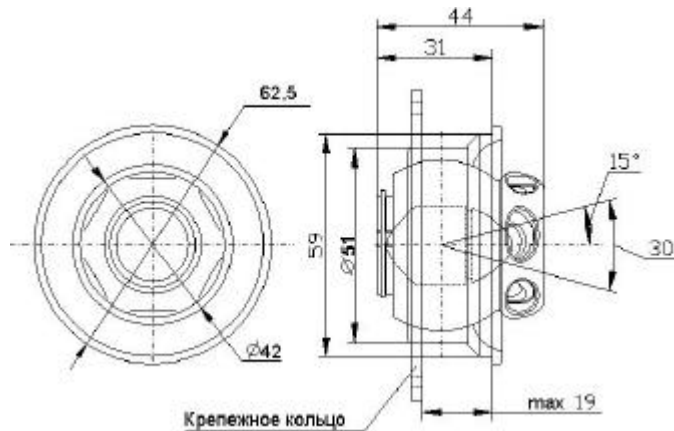
There are two modifications: round shape air outlet (P/N 325889.001) and oval shape air outlet (P/N 325889.002)



- Exclusive design
- Ergonomic
- Noiseless
- Simple mount
- Meet your decorative plating needs
- Weight 0.14 kg

### DIMENSIONS (in mm)

#### Round shape Air outlet P/N 325889.001



#### Oval shape Air outlet P/N 325889.002

